

PROGRAMMING THE BASIC COMPUTER

Introduction

Machine Language

Assembly Language

Assembler

Program Loops

Programming Arithmetic and Logic Operations

Subroutines

Input-Output Programming

INTRODUCTION

Those concerned with computer architecture should have a knowledge of both hardware and software because the two branches influence each other.

Instruction Set of the *Basic Computer*

<i>Symbol</i>	<i>Hexa code</i>	<i>Description</i>
AND	0 or 8	AND M to AC
ADD	1 or 9	Add M to AC, carry to E
LDA	2 or A	Load AC from M
STA	3 or B	Store AC in M
BUN	4 or C	Branch unconditionally to m
BSA	5 or D	Save return address in m and branch to m+1
ISZ	6 or E	Increment M and skip if zero
CLA	7800	Clear AC
CLE	7400	Clear E
CMA	7200	Complement AC
CME	7100	Complement E
CIR	7080	Circulate right E and AC
CIL	7040	Circulate left E and AC
INC	7020	Increment AC, carry to E
SPA	7010	Skip if AC is positive
SNA	7008	Skip if AC is negative
SZA	7004	Skip if AC is zero
SZE	7002	Skip if E is zero
HLT	7001	Halt computer
INP	F800	Input information and clear flag
OUT	F400	Output information and clear flag
SKI	F200	Skip if input flag is on
SKO	F100	Skip if output flag is on
ION	F080	Turn interrupt on
IOF	F040	Turn interrupt off

m: effective address
M: memory word (operand)
found at m

MACHINE LANGUAGE

Program

A list of instructions or statements for directing the computer to perform a required data processing task

Various types of programming languages

- Hierarchy of programming languages

- **Machine-language**
 - **Binary code**
 - **Octal or hexadecimal code**

- **Assembly-language** **(Assembler)**
 - **Symbolic code**

- **High-level language** **(Compiler)**

COMPARISON OF PROGRAMMING LANGUAGES

• Binary Program to Add Two Numbers

Location	Instruction Code
0	0010 0000 0000 0100
1	0001 0000 0000 0101
10	0011 0000 0000 0110
11	0111 0000 0000 0001
100	0000 0000 0101 0011
101	1111 1111 1110 1001
110	0000 0000 0000 0000

• Hexa program

Location	Instruction
000	2004
001	1005
002	3006
003	7001
004	0053
005	FFE9
006	0000

• Program with Symbolic OP-Code

Location	Instruction	Comments
000	LDA 004	Load 1st operand into AC
001	ADD 005	Add 2nd operand to AC
002	STA 006	Store sum in location 006
003	HLT	Halt computer
004	0053	1st operand
005	FFE9	2nd operand (negative)
006	0000	Store sum here

• Assembly-Language Program

	ORG	0	/Origin of program is location 0
	LDA	A	/Load operand from location A
	ADD	B	/Add operand from location B
	STA	C	/Store sum in location C
	HLT		/Halt computer
A,	DEC	83	/Decimal operand
B,	DEC	-23	/Decimal operand
C,	DEC	0	/Sum stored in location C
	END		/End of symbolic program

• Fortran Program

```

INTEGER A, B, C
DATA A,83 / B,-23
C = A + B
END

```

ASSEMBLY LANGUAGE

Syntax of the BC assembly language

Each line is arranged in three columns called fields

Label field

- May be empty or may specify a symbolic address consists of up to 3 characters
- Terminated by a comma

Instruction field

- Specifies a machine or a pseudo instruction
- May specify one of
 - * Memory reference instr. (MRI)
MRI consists of two or three symbols separated by spaces.
ADD OPR (direct address MRI)
ADD PTR I (indirect address MRI)
 - * Register reference or input-output instr.
Non-MRI does not have an address part
 - * Pseudo instr. with or without an operand
Symbolic address used in the instruction field must be defined somewhere as a label

Comment field

- May be empty or may include a comment

PSEUDO-INSTRUCTIONS

ORG N

Hexadecimal number N is the memory loc.

for the instruction or operand listed in the following line

END

Denotes the end of symbolic program

DEC N

Signed decimal number N to be converted to the binary

HEX N

Hexadecimal number N to be converted to the binary

Example: Assembly language program to subtract two numbers

	ORG 100	/ Origin of program is location 100
	LDA SUB	/ Load subtrahend to AC
	CMA	/ Complement AC
	INC	/ Increment AC
	ADD MIN	/ Add minuend to AC
	STA DIF	/ Store difference
	HLT	/ Halt computer
MIN,	DEC 83	/ Minuend
SUB,	DEC -23	/ Subtrahend
DIF,	HEX 0	/ Difference stored here
	END	/ End of symbolic program

TRANSLATION TO BINARY

<i>Hexadecimal Code</i>		<i>Symbolic Program</i>
<i>Location</i>	<i>Content</i>	
100	2107	ORG 100
101	7200	LDA SUB
102	7020	CMA
103	1106	INC
104	3108	ADD MIN
105	7001	STA DIF
106	0053	HLT
107	FFE9	MIN, DEC 83
108	0000	SUB, DEC -23
		DIF, HEX 0
		END

ASSEMBLER - FIRST PASS -

Assembler

Source Program - Symbolic Assembly Language Program

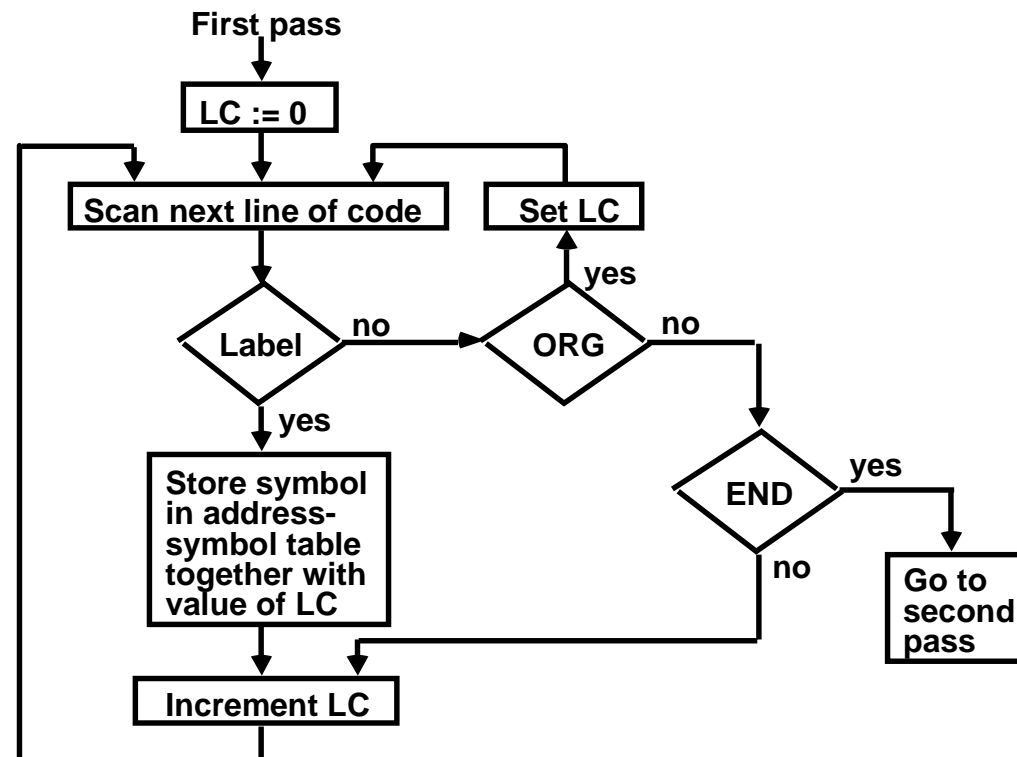
Object Program - Binary Machine Language Program

Two pass assembler

1st pass: generates a table that correlates all user defined (address) symbols with their binary equivalent value

2nd pass: binary translation

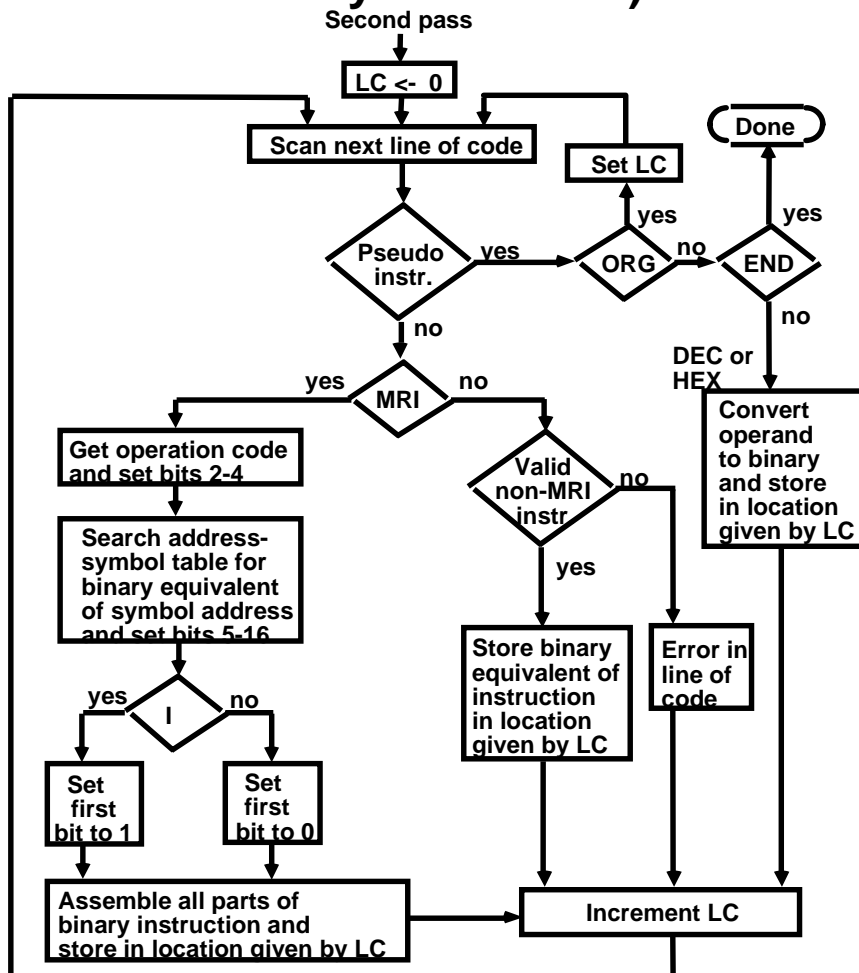
First pass



ASSEMBLER - SECOND PASS -

Second Pass

Machine instructions are translated by means of table-lookup procedures;
 (1. Pseudo-Instruction Table, 2. MRI Table, 3. Non-MRI Table
 4. Address Symbol Table)



PROGRAM LOOPS

Loop: A sequence of instructions that are executed many times, each with a different set of data

Fortran program to add 100 numbers:

```
DIMENSION A(100)
INTEGER SUM, A
SUM = 0
DO 3 J = 1, 100
3  SUM = SUM + A(J)
```

Assembly-language program to add 100 numbers:

	ORG 100	/ Origin of program is HEX 100
	LDA ADS	/ Load first address of operand
	STA PTR	/ Store in pointer
	LDA NBR	/ Load -100
	STA CTR	/ Store in counter
	CLA	/ Clear AC
LOP,	ADD PTR I	/ Add an operand to AC
	ISZ PTR	/ Increment pointer
	ISZ CTR	/ Increment counter
	BUN LOP	/ Repeat loop again
	STA SUM	/ Store sum
	HLT	/ Halt
ADS,	HEX 150	/ First address of operands
PTR,	HEX 0	/ Reserved for a pointer
NBR,	DEC -100	/ Initial value for a counter
CTR,	HEX 0	/ Reserved for a counter
SUM,	HEX 0	/ Sum is stored here
	ORG 150	/ Origin of operands is HEX 150
	DEC 75	/ First operand
	⋮	
	DEC 23	/ Last operand
	END	/ End of symbolic program

PROGRAMMING ARITHMETIC AND LOGIC OPERATIONS

Implementation of Arithmetic and Logic Operations

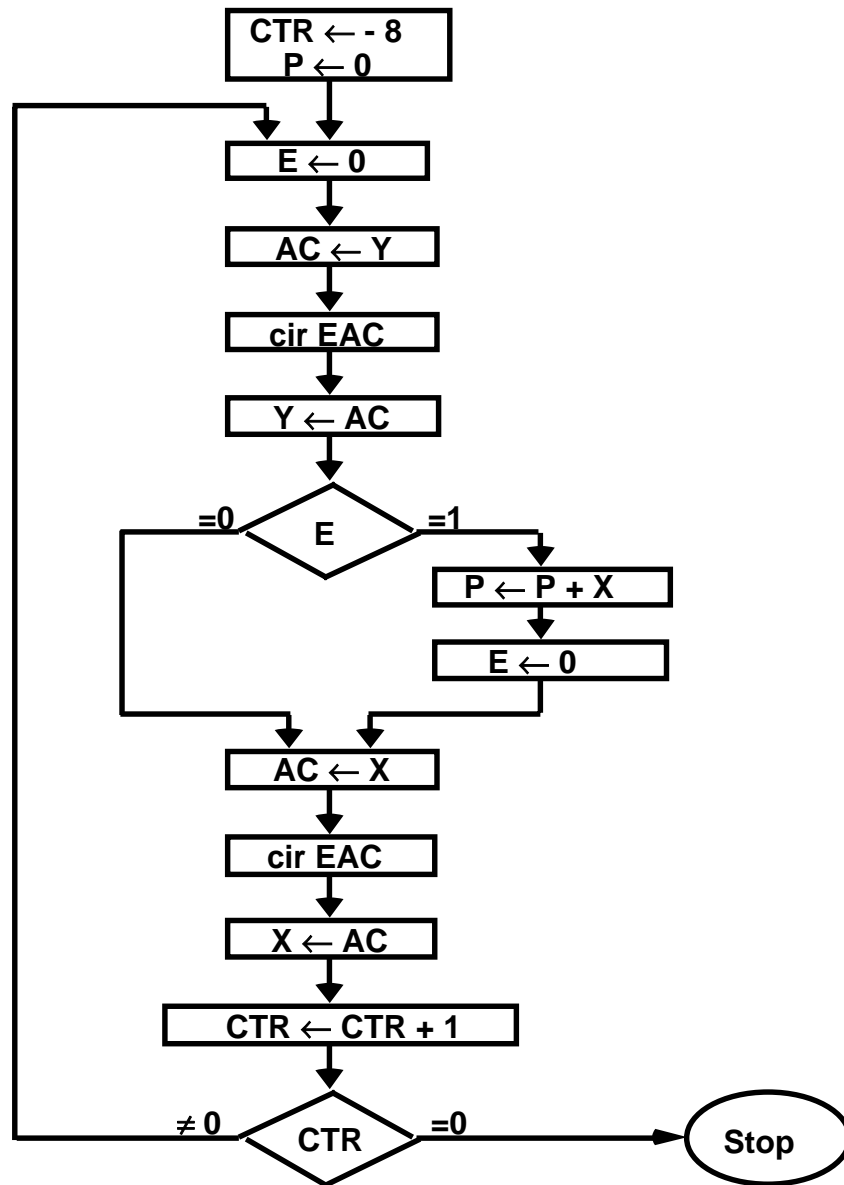
- **Software Implementation**
 - **Implementation of an operation with a program using machine instruction set**
 - **Usually when the operation is not included in the instruction set**

- **Hardware Implementation**
 - **Implementation of an operation in a computer with one machine instruction**

Software Implementation example:

- * **Multiplication**
 - **For simplicity, unsigned positive numbers**
 - **8-bit numbers -> 16-bit product**

FLOWCHART OF A PROGRAM - Multiplication -



X holds the multiplicand
 Y holds the multiplier
 P holds the product

Example with four significant digits

X = 0000 1111	P
Y = 0000 1011	0000 0000
0000 1111	0000 1111
0001 1110	0010 1101
0000 0000	0010 1101
0111 1000	1010 0101
1010 0101	

ASSEMBLY LANGUAGE PROGRAM - Multiplication -

```

      ORG 100
LOP,  CLE          / Clear E
      LDA Y        / Load multiplier
      CIR          / Transfer multiplier bit to E
      STA Y        / Store shifted multiplier
      SZE          / Check if bit is zero
      BUN ONE     / Bit is one; goto ONE
      BUN ZRO     / Bit is zero; goto ZRO
ONE,  LDA X        / Load multiplicand
      ADD P        / Add to partial product
      STA P        / Store partial product
      CLE          / Clear E
ZRO,  LDA X        / Load multiplicand
      CIL          / Shift left
      STA X        / Store shifted multiplicand
      ISZ CTR     / Increment counter
      BUN LOP     / Counter not zero; repeat loop
      HLT         / Counter is zero; halt
CTR,  DEC -8      / This location serves as a counter
X,    HEX 000F    / Multiplicand stored here
Y,    HEX 000B    / Multiplier stored here
P,    HEX 0       / Product formed here
      END
```

ASSEMBLY LANGUAGE PROGRAM
- Double Precision Addition -

LDA	AL	/ Load A low
ADD	BL	/ Add B low, carry in E
STA	CL	/ Store in C low
CLA		/ Clear AC
CIL		/ Circulate to bring carry into AC(16)
ADD	AH	/ Add A high and carry
ADD	BH	/ Add B high
STA	CH	/ Store in C high
HLT		

ASSEMBLY LANGUAGE PROGRAM**- Logic and Shift Operations -**

- **Logic operations**

- BC instructions : AND, CMA, CLA

- Program for OR operation

LDA	A	/ Load 1st operand
CMA		/ Complement to get A'
STA	TMP	/ Store in a temporary location
LDA	B	/ Load 2nd operand B
CMA		/ Complement to get B'
AND	TMP	/ AND with A' to get A' AND B'
CMA		/ Complement again to get A OR B

- **Shift operations - BC has *Circular Shift* only**

- Logical shift-right operation

CLE
CIR

- Logical shift-left operation

CLE
CIL

- Arithmetic right-shift operation

CLE	/ Clear E to 0
SPA	/ Skip if AC is positive
CME	/ AC is negative
CIR	/ Circulate E and AC

SUBROUTINES

Subroutine

- A set of common instructions that can be used in a program many times.
- Subroutine *linkage* : a procedure for branching to a subroutine and returning to the main program

Example

<i>Loc.</i>		ORG 100	/ Main program
100		LDA X	/ Load X
101		BSA SH4	/ Branch to subroutine
102		STA X	/ Store shifted number
103		LDA Y	/ Load Y
104		BSA SH4	/ Branch to subroutine again
105		STA Y	/ Store shifted number
106		HLT	
107	X,	HEX 1234	
108	Y,	HEX 4321	
109	SH4,	HEX 0	/ Subroutine to shift left 4 times
10A		CIL	/ Store return address here
10B		CIL	/ Circulate left once
10C		CIL	
10D		CIL	/ Circulate left fourth time
10E		AND MSK	/ Set AC(13-16) to zero
10F		BUN SH4 I	/ Return to main program
110	MSK,	HEX FFF0	/ Mask operand
		END	

SUBROUTINE PARAMETERS AND DATA LINKAGE

Linkage of Parameters and Data between the Main Program and a Subroutine

- via Registers
- via Memory locations
-

Example: Subroutine performing *LOGICAL OR operation*; Need two parameters

<i>Loc.</i>		ORG 200	
200		LDA X	/ Load 1st operand into AC
201		BSA OR	/ Branch to subroutine OR
202		HEX 3AF6	/ 2nd operand stored here
203		STA Y	/ Subroutine returns here
204		HLT	
205	X,	HEX 7B95	/ 1st operand stored here
206	Y,	HEX 0	/ Result stored here
207	OR,	HEX 0	/ Subroutine OR
208		CMA	/ Complement 1st operand
209		STA TMP	/ Store in temporary location
20A		LDA OR I	/ Load 2nd operand
20B		CMA	/ Complement 2nd operand
20C		AND TMP	/ AND complemented 1st operand
20D		CMA	/ Complement again to get OR
20E		ISZ OR	/ Increment return address
20F		BUN OR I	/ Return to main program
210	TMP,	HEX 0	/ Temporary storage
		END	

SUBROUTINE - Moving a Block of Data -

		/ Main program
	BSA MVE	/ Branch to subroutine
	HEX 100	/ 1st address of source data
	HEX 200	/ 1st address of destination data
	DEC -16	/ Number of items to move
	HLT	
MVE,	HEX 0	/ Subroutine MVE
	LDA MVE I	/ Bring address of source
	STA PT1	/ Store in 1st pointer
	ISZ MVE	/ Increment return address
	LDA MVE I	/ Bring address of destination
	STA PT2	/ Store in 2nd pointer
	ISZ MVE	/ Increment return address
	LDA MVE I	/ Bring number of items
	STA CTR	/ Store in counter
	ISZ MVE	/ Increment return address
LOP,	LDA PT1 I	/ Load source item
	STA PT2 I	/ Store in destination
	ISZ PT1	/ Increment source pointer
	ISZ PT2	/ Increment destination pointer
	ISZ CTR	/ Increment counter
	BUN LOP	/ Repeat 16 times
	BUN MVE I	/ Return to main program
PT1,	--	
PT2,	--	
CTR,	--	

• Fortran subroutine

```

SUBROUTINE MVE (SOURCE, DEST, N)
  DIMENSION SOURCE(N), DEST(N)
  DO 20 I = 1, N
20  DEST(I) = SOURCE(I)
  RETURN
  END

```

INPUT OUTPUT PROGRAM

Program to Input one Character(Byte)

CIF,	SKI	/ Check input flag
	BUN CIF	/ Flag=0, branch to check again
	INP	/ Flag=1, input character
	OUT	/ Display to ensure correctness
	STA CHR	/ Store character
	HLT	
CHR,	--	/ Store character here

Program to Output a Character

	LDA CHR	/ Load character into AC
COF,	SKO	/ Check output flag
	BUN COF	/ Flag=0, branch to check again
	OUT	/ Flag=1, output character
	HLT	
CHR,	HEX 0057	/ Character is "W"

CHARACTER MANIPULATION

Subroutine to Input 2 Characters and pack into a word

```
IN2,  --           / Subroutine entry
FST,  SKI
      BUN FST
      INP           / Input 1st character
      OUT
      BSA SH4       / Logical Shift left 4 bits
      BSA SH4       / 4 more bits
SCD,  SKI
      BUN SCD
      INP           / Input 2nd character
      OUT
      BUN IN2 I     / Return
```

PROGRAM INTERRUPT

Tasks of Interrupt Service Routine

- **Save the Status of CPU**
 Contents of processor registers and Flags

- **Identify the source of Interrupt**
 Check which flag is set

- **Service the device whose flag is set**
 (Input Output Subroutine)

- **Restore contents of processor registers and flags**

- **Turn the interrupt facility on**

- **Return to the running program**
 Load PC of the interrupted program

INTERRUPT SERVICE ROUTINE

Loc.			
0	ZRO,	-	/ Return address stored here
1		BUN SRV	/ Branch to service routine
100		CLA	/ Portion of running program
101		ION	/ Turn on interrupt facility
102		LDA X	
103		ADD Y	/ Interrupt occurs here
104		STA Z	/ Program returns here after interrupt
			/ Interrupt service routine
200	SRV,	STA SAC	/ Store content of AC
		CIR	/ Move E into AC(1)
		STA SE	/ Store content of E
		SKI	/ Check input flag
		BUN NXT	/ Flag is off, check next flag
		INP	/ Flag is on, input character
		OUT	/ Print character
		STA PT1 I	/ Store it in input buffer
		ISZ PT1	/ Increment input pointer
	NXT,	SKO	/ Check output flag
		BUN EXT	/ Flag is off, exit
		LDA PT2 I	/ Load character from output buffer
		OUT	/ Output character
		ISZ PT2	/ Increment output pointer
	EXT,	LDA SE	/ Restore value of AC(1)
		CIL	/ Shift it to E
		LDA SAC	/ Restore content of AC
		ION	/ Turn interrupt on
		BUN ZRO I	/ Return to running program
	SAC,	-	/ AC is stored here
	SE,	-	/ E is stored here
	PT1,	-	/ Pointer of input buffer
	PT2,	-	/ Pointer of output buffer